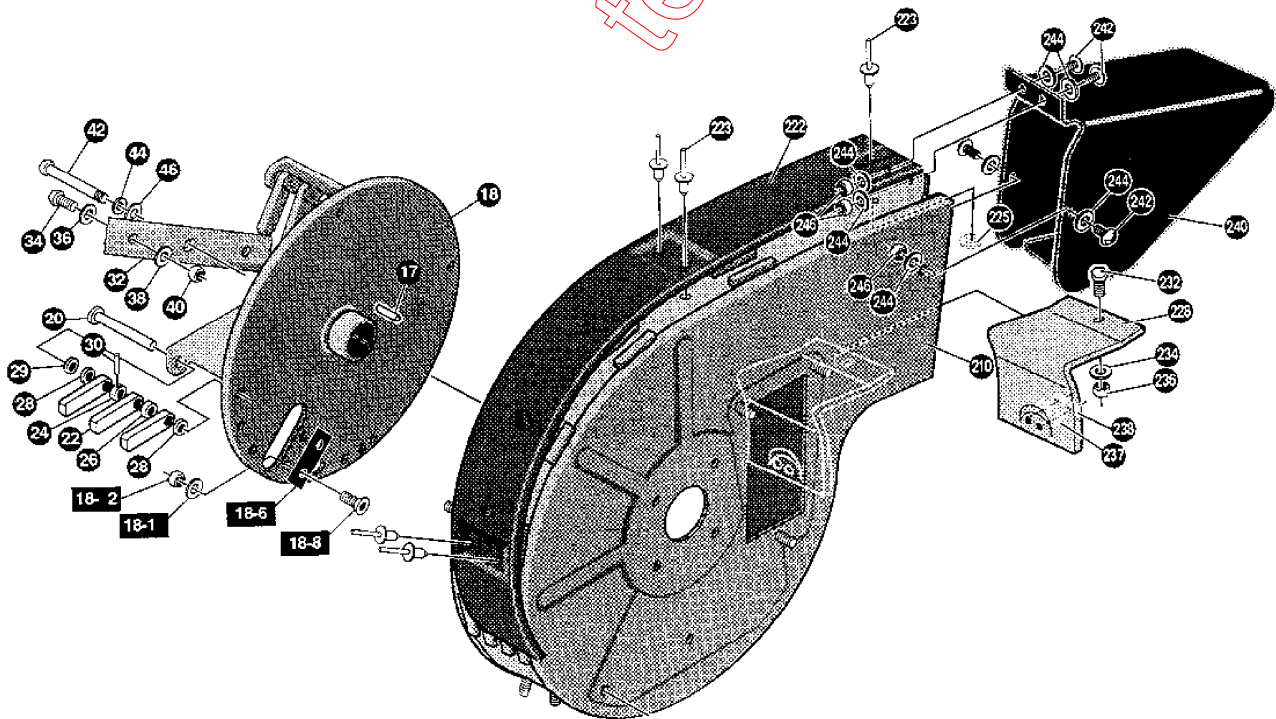


test



Section: CHIPPER/SHREDDER ART.NO 13-1971-11 BLADES

Pos.	Quantity	Spare part No	Description	Kit	Notes	New
		1971				
0		..13-1971-11	Chipper/shredder as			
17	1	1319-1564-01	Key			
18	1	1133-0875-01	Flail assy			
20	4	1133-0854-01	Pin			
22	12	1133-0834-01	Flail			
24	4	1133-0833-01	Spacer			
26	4	1133-0859-01	Spacer			
28	8	9699-0115-02	Washer			
29	4	1133-0895-01	Washer			
30	4	1133-0886-01	Rivet			
32	1	1133-0836-01	Blade-rotary shredd			
34	2	9988-3645-16	Screw			
36	2	9699-0028-02	Flat washer			
38	2	9699-0078-02	Washer			
40	2	9743-3621-32	Nut			
42	1	9997-1050-16	Screw			
44	1	9683-0040-02	Lock washer			
46	1	9699-0030-02	Flat washer			
210	1	1133-0890-01	Flail housing			
222	1	1133-0899-01	Shroud cover			
223	5	9699-0100-02	Washer			
223	5	9727-3541-22	Nut			
223	5	9863-3516-16	Screw			
225	5	9699-0099-02	Washer			
228	1	1133-0892-01	Baffle			
232	1	9988-3513-16	Screw			
234	1	9699-0026-02	Flat washer			
236	1	9743-3521-32	Nut			
237	2	9699-0028-02	Flat washer			
238	2	9743-3621-32	Nut			
240	1	1133-0888-01	Deflector			
242	4	9863-3516-16	Screw			
244	8	9699-0026-02	Flat washer			
246	4	9743-3521-32	Nut			
510	1	1133-0848-01	Station plate			
520	1	1133-0847-01	Tube & plate			
522	1	1133-0852-01	Seal			
524	3	1133-0843-01	Bushing			
526	3	9699-0030-02	Flat washer			
528	3	9743-3721-32	Nut			
530	1	1133-0846-01	Retainer			
532	3	1133-0856-01	Fitting			
534	1	1133-0855-01	Retainer, spring			
536	2	1133-0475-01	Pop rivet			
538	2	9699-0072-02	Washer			
540	1	1133-0845-01	Release, handle			
542	1	1133-0844-01	Spring			
544	1	1133-0857-01	Knob			
18-1	2	9683-0030-02	.Lock washer			
18-2	2	9743-5121-02	.Nut			
18-6	1	1133-0835-01	.Blade-chipper			
18-8	2	1133-0850-01	.Screw			